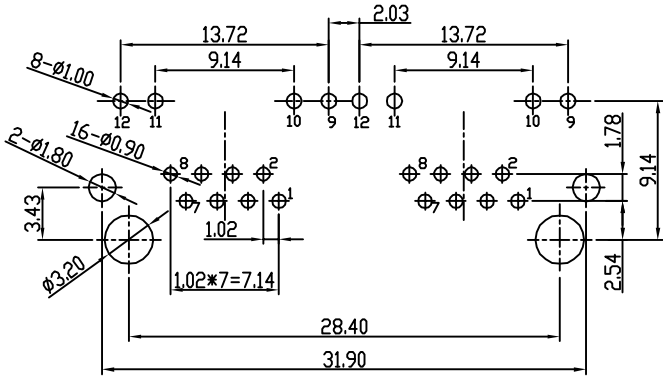
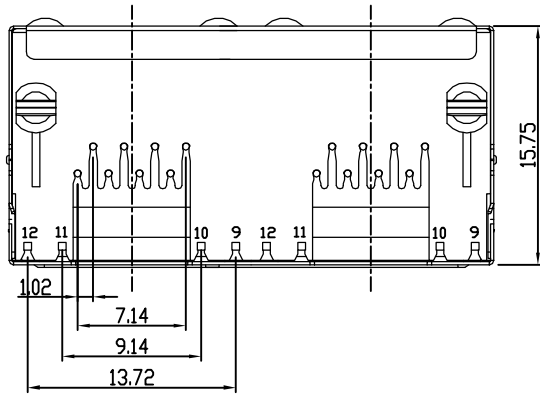
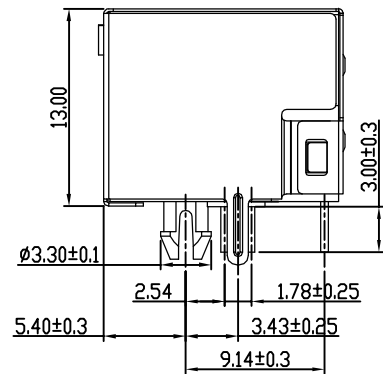
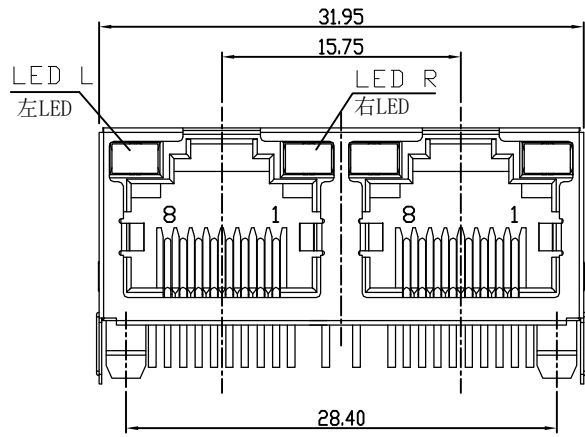


REV.	ECN.NO.	NAME	DATA
A0	NEW	MIN-D	2020-05-22



Recommend PCB Layout
(Jack Top View)
TOLERANCES:±0.05

SPECIFICATION NOTES:

ELECTRICAL:

- VOLTAGE RATING: 125 VAC RMS
- CURRENT RATING: 1.5 AMP
- CONTACT RESISTANCE: 30mΩ MAX.
- INSULATION RESISTANCE: 500MΩMIN. AT 500V DC.
- DIELECTRIC STRENGTH: 1000 VAC 50Hz 1MINUTE

MECHANICAL:

- HOUSING MATERIAL:
SEE PART NUMBER.
- CONTACTS:Ø0.46mm PHOSPHOR BRONZE,GOLD PLATING OVER NICKEL
- SHIELD:0.20mm THICKNESS COPPER ALLOY WITH NICKEL PLATED.
- OPERATING LIFE:750 CYCLES MIN.
- MATING FORCE: 30N MAX.
UNMATING FORCE: 30N MAX.

ENVIRONMENTAL:

- STORAGE:-40°C TO +85°C
- OPERATION: -40°C TO +85°C

PART NUMBER:

5J-XX 88 X X X 3-X

1x2: 12

8P8C:88

Fu": 1
1u": 2
3u": 3
6u": 4
15u": 5
30u": 6
50u": 7

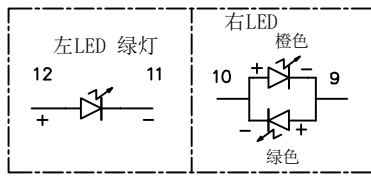
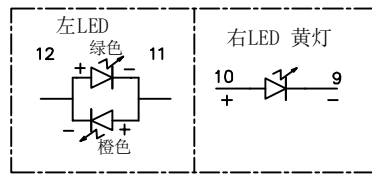
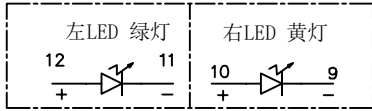
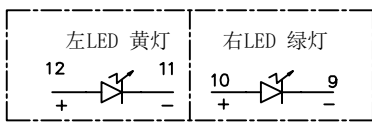
Plating
电镀

COLOR(颜色)
1.BLACK(黑色)
2.GRAY(灰色)
3.BLUE(蓝色)
4.YELLOW(114C黄)
5.WHITE(白色)

Material
材质

A:PBT
B:PA66
C:PA9T

0: 无外壳 无灯
1: 无外壳 带灯
2: 有外壳 带灯带EMI
3: 有外壳 带灯无EMI
4: 有外壳 无灯带EMI
5: 有外壳 无灯无EMI



DETACHED LISTS	MM (INCH)	绘图 (Designed)	MIN-D 2020-05-22
	公差 TOLERANCES	审核 (Checked)	
	MM	批准 (Approved)	
	角度 (ANGLES) ± 1.5°	材料 (Material)	SEE NOTES
	第三视图	比例 (SCALE)	1:1

XWJ 东莞市欣旺久电子有限公司 XIN WANG JIU Electronics Co.,Ltd			
系列 (SERIES)	名称 (NAME)		
RJ	XWJ-5J 8P8C 1X2 全包 带灯无EMI		
图号 (DWG NO.):	料号 (PART NO):	5J-XX88XXX3-X	版本 (REV.)
			A0
单位 (UNIT):	MM	共 (SHEET)	1 页 第 (OF) 1 页